



ECON i1

Control unit for infrared warming cabins. For domestic sauna cabins.

Electronic control unit for IR-cabins with LCD display with multi-language menu navigation.

Your advantages:

- Illuminated alpha-numeric multiline LCD display.
- Easy to use thanks to 12 language menu navigation.
- Fast, simple installation and setup.
- Slim housing design, only 58 mm thick.
- High power output - up to 9 kW
- Made in Germany quality from EOS.

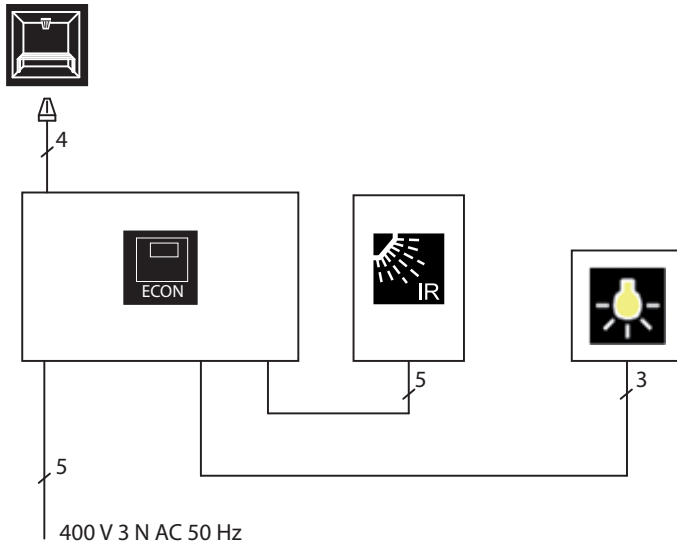
Specifications and features:

Housing:	plastic, creme-white
Display:	LCD display 40 x 22 mm, multiline, alpha-numeric, with backlighting
Menu navigation:	12 languages (DE, EN, FR, ES, IT, NL, RU, PL, FI, SE, SLO, CZ)
Temperature control:	digital two-point
Heating time:	up to 6 hours
Temperature range:	30°C - 70°C
Temperature limitation:	142 °C safety overheating limitation
Switching capacity:	up to 9 kW
Power supply:	400 V 3N AC 50 Hz
Installation:	wall-mounting or semi-recessed
Functions:	Temperature preselection, Output for cabin lighting (max. 100 W), Child lock (keypad lock), Error messages in clear text, Life-Guard, Data retention by power loss (24 h), „Switch-Off“ switch.

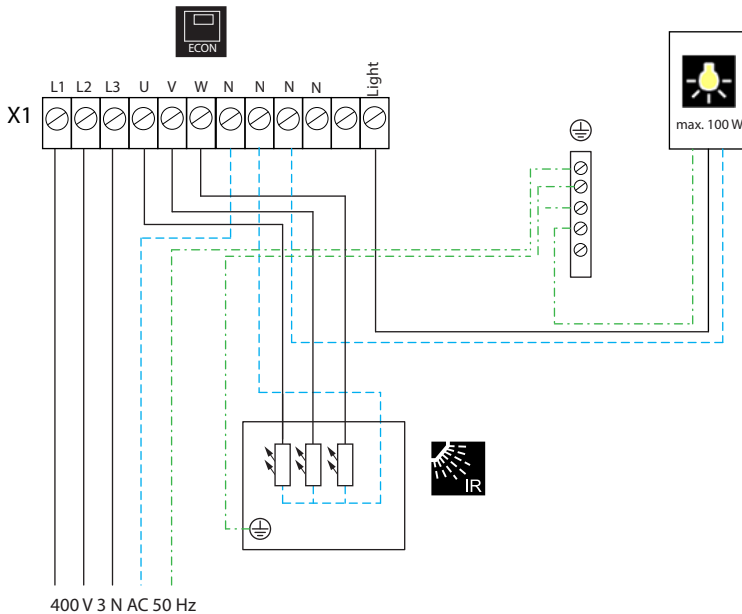


CE IPx4 MADE IN GERMANY

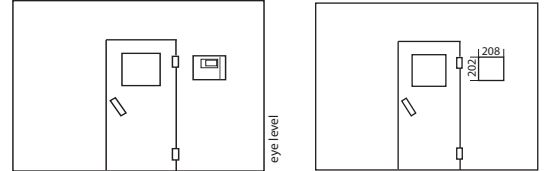
Connection overview



Connection diagram

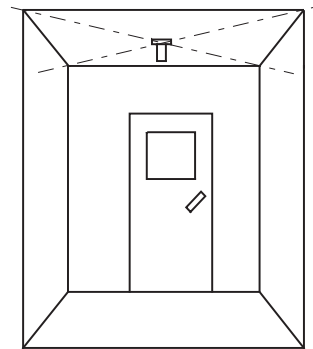


Installation



Wall cut-out (aperture) by semi-recessed mounting

Sensor installation



In the middle on the cabin ceiling

Spare parts and accessories

Description	Item no.
Temperature sensor, 2 m cable	607570
Main board	20014879
Button strip	20014892
Housing (upper side)	20014891
Housing (bottom side)	20014890
Display cover 1 (front)	20014913
Cover 2 (buttons)	20014915
Switch-Off rocker switch	20013652

Item no.	Electrical connection	Switching capacity	Power extension via LSG unit	Temperature control range	Heating time limitation	Dimensions H/W/D in cm	Ambient temperature in operation	Weight without packing
94.5768	400 V 3N AC 50Hz	9,0 kW resistive load	no	30 - 70 °C	6 h	22 / 25 / 5,8	-10 to +40 °C	1,0 kg