



## Technical Data Sheet


# EmoTouch 3

## Innovative touch-screen sauna control unit for dry & humid sauna operation.

Advanced sauna control system with a remote touch-screen control panel and a separate relay box. Innovative enhanced graphic user interface allows easy and intuitive operation, all major functions can be reached within a few seconds.

### Features and benefits:

- Remote control panel with a 7" capacitive touch-screen display.
- Flush-mounted or surface-mounted installation (control panel)
- New re-designed graphic user interface allows direct, intuitive access to all functions and settings.
- Easy navigation with icons and clear text function description.
- Menu navigation in 20 languages (DE, EN, FR, RU, ES, NL, IT, PL, SLO, FIN, TR, CZ, RO, BG, HU, HR, SK, DK, SLK, CN).
- Dry and humid sauna operation (with / without humidity sensor)
- Separate service level with pin-code protection.
- Child lock and a innovative holiday home-mode.
- Week timer (4 programs / day) with individual climate settings.
- Guided setup menu, clear text messaging (functions, errors).
- Software may be updated (own contact details incl. own logo may be installed against a surcharge).
- Various extension modules optionally available.
- Potential-free contact (output).
- Up to 30 m installation distance between touch-screen display and sauna cabin. 5 m connection cable included.
- Simple installation and service-friendly design. All components (control panel, sensors and extensions are connected using modular plug cables) The relay box allows cable connections from the rear and from the bottom side.
- High safety standards, complies with the latest EU norms.

- Easy and intuitive operation
- Menu navigation in 20 languages
- Large 7" touch-screen display
- Simple, quick installation
- Premium functions
- Made in Germany 

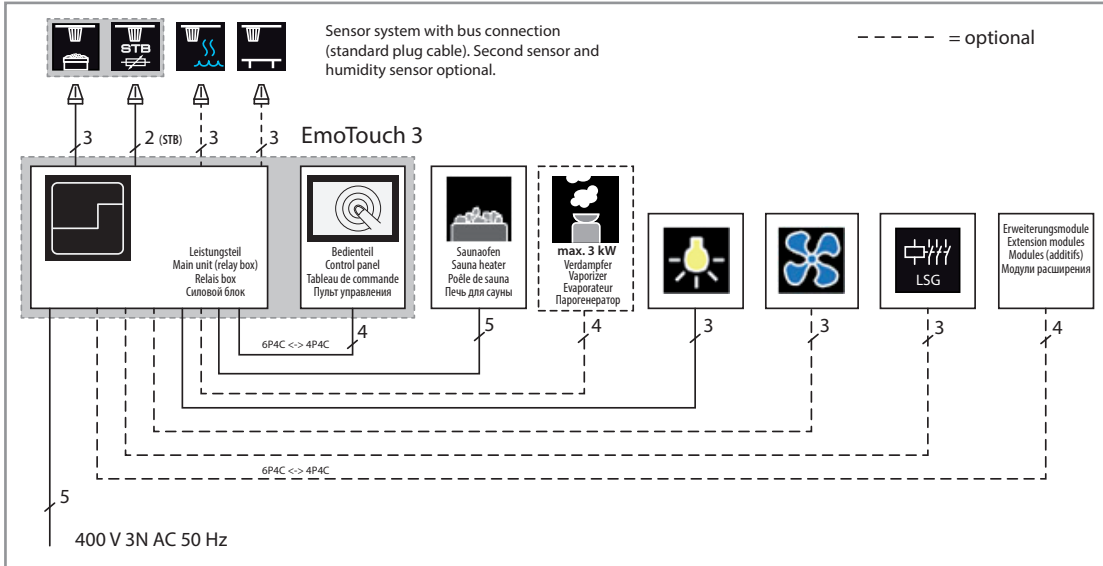


Relay box  
wall-mounting

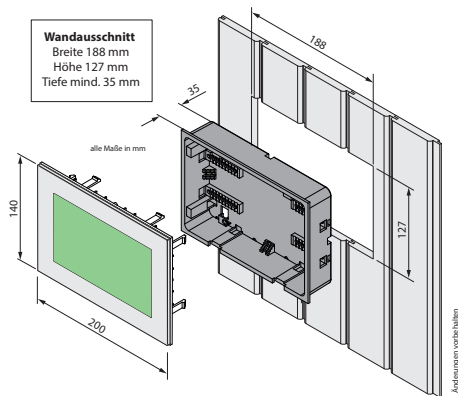
Control panel  
Flush-mounted installation.  
7" touch-screen display.

CE IPx4 MADE IN GERMANY 

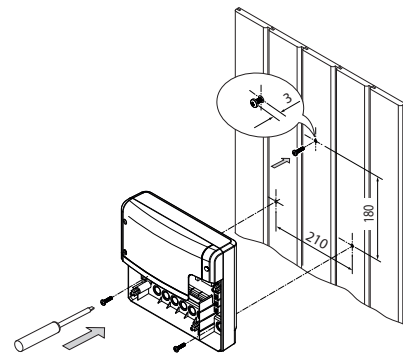
**Connection diagram**



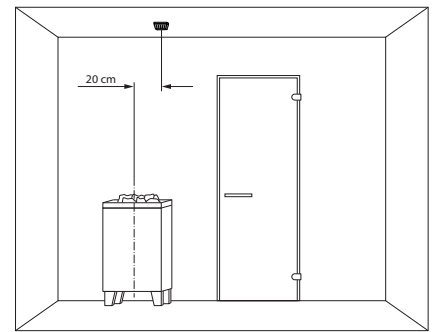
**Control panel installation**



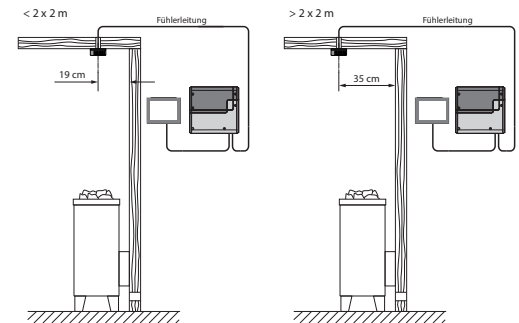
**Relay box installation**



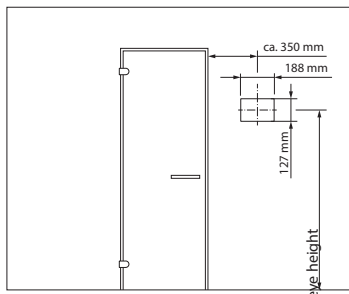
**Sensor installation**



**by sauna cabins:**



**Installation on the sauna cabin front wall:**



**Specifications**

Electrical connection	Power output	Temperature control range	Humidity control	Heating time limitation	Time pre-selection	Cabin light output	Fan output	Sensor system	Control panel (HWD)	Relay box (HWD)
400V 3N AC 50 Hz	9,0 kW resistive load (extension possible), 3 kW for vaporizer in humid sauna mode.	30° - 115°C	Proportional to time (0 - 100%) or with humidity sensor (rel. %)	6 h / 12 h / unlimited	24 h real time or week timer	230 V, dimmable. Resistive, capacitive, inductive load	230 V / max. 100 W, adjustable speed	Digital, inc. 5 m cable. 2nd sensor optional. Hum. sensor opt.	140 x 210 x 42 mm flush-mounting (127 x 188 mm wall aperture)	270 x 300 x 100 mm wall-mounting

Technical changes reserved