



Technical data sheet

EOS IRS 35 / 50 RHK

Infrared radiator for IR warming- and sauna cabins. IR-B and IR-C range.

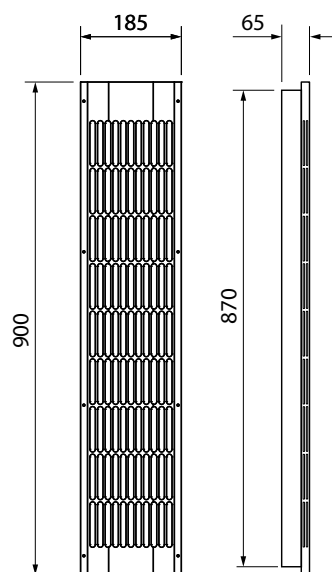
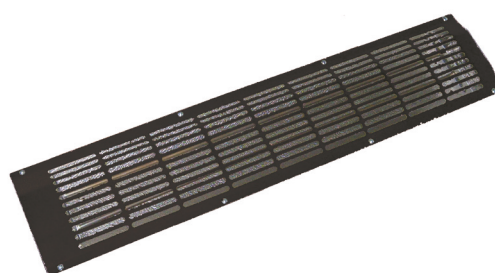
IR radiator for wall-mounting installation. Completely assembled with 3 m silicone coated cable, with Wieland type plug.

Your advantages:

- Fast heat-up time
- With 350 W or 500 W emitter (metal tube with magnesia oxide type)
- Medium-wave IR-B and long-wave IR-C range
- With reflector shield of polished aluminium, protective flocked safety grille and silicone coated cable
- Made in Germany quality from EOS

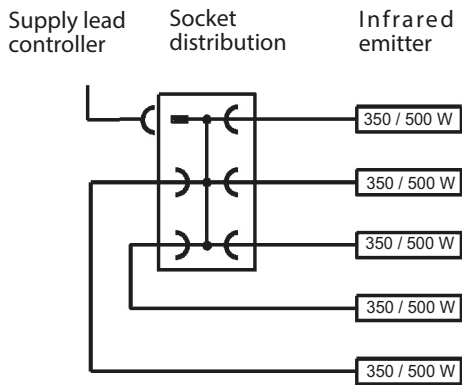
Technical Data:

Casing:	zinc-plated steel
Reflector:	polished aluminium
Covering grille:	with protective flock spray
Assembly:	horizontal or vertical, no ceiling suspension
Dimensions (HxWxD):	900 x 185 x 65 mm
Power input:	350 W / 500 W
Power supply:	230 V 50 Hz
Weight:	approx. 2 kg

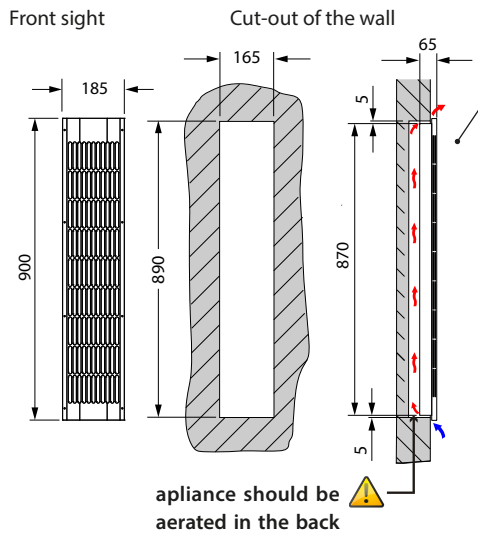


CE EAC MADE IN GERMANY 

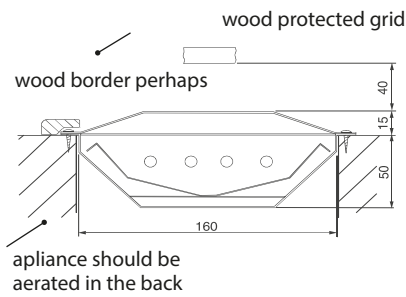
Connection diagram



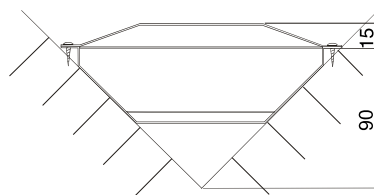
Installation



Vertical installation on cabin wall



Vertical installation in the cabin corners



⚠ Attention! Make sure to provide sufficient air circulation around the radiator. The space above the radiator must not be blocked, so that the warm air may rise freely. **Risk of fire!**

Type Item no.	Electrical connection/ Power	Emitter	Surface temperature	Spectrum	Dimensions, HxWxD, in mm	Cut-out for mounting, in mm	Weight without packing	For operation with control units
IRS 35 94.4305	230 V N AC 50 Hz 350 W	Magnesium	400 - 600 °C	2-10 µm IR-B IR-C	900 x 185 x 65	890 x 165	approx. 2 kg	InfraTec Classic InfraTec Premium EmoTec IR InfraStyle
IRS 50 94.4306	230 V N AC 50 Hz 500 W							