



Technical data sheet

Bi-O Mat U

Sauna heater for domestic and commercial saunas. Behind-the-bench model.

Special design sauna heater for concealed, behind-the-bench installation. With integrated vaporizer. Extra slim construction with only 22 cm installation depth. Includes protective safety grill and water infusion kit (infusion along the full heater width).

Your advantages:

- Very slim - only 22 cm installation depth.
- Place-saving hidden installation, high safety in use.
- Built-in steam generator 1.5 kW / 2 kW* allows flexible sauna climate settings.
- Water shortage acoustic alarm, dry-run protection.
- Robust, durable construction, all made of stainless steel.
- Includes safety grill (fire protection)
- Includes water infusion kit (funnel with connection hose).
- Includes 6 m silicone coated connection cable.
- Made in Germany quality from EOS.

Specifications:

Outer shell:	Stainless steel, blank polished
Inner shell:	Stainless steel
Top:	Stainless steel
Terminal box:	Stainless steel, integrated in side wall
Vaporizer:	1.5 kW / 2 kW, 5 l tank, dry-run protection, manual water filling.
Power range:	6.0 / 7.5 / 9.0 and 12.0 kW
Power supply:	400 V 3N AC 50 Hz
Dimensions (HWD):	1000 x 1120 x 200 mm
Stone filling:	approx. 10 kg (optionally available)
Installation:	Floor-standing, behind-the-bench (hidden) installation

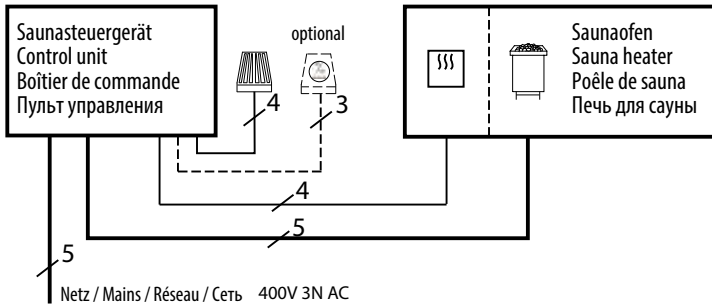


* 1,5 kW for heaters from 6 kW to 9 kW / 2,0 kW for heaters with 12 kW

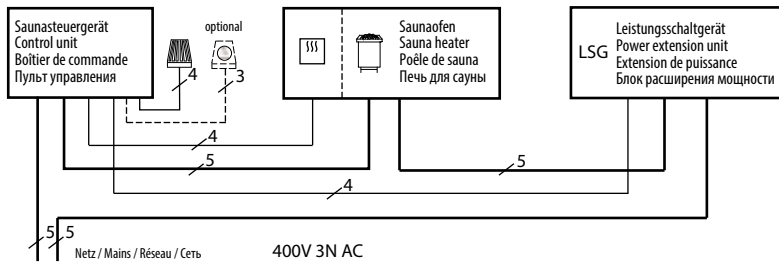


Connection diagram

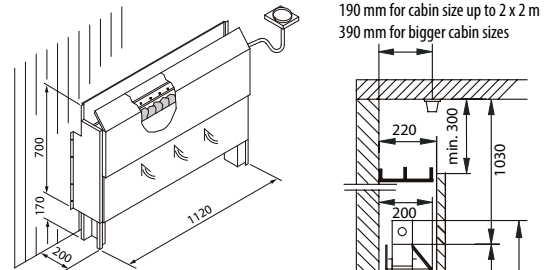
6 - 9 kW



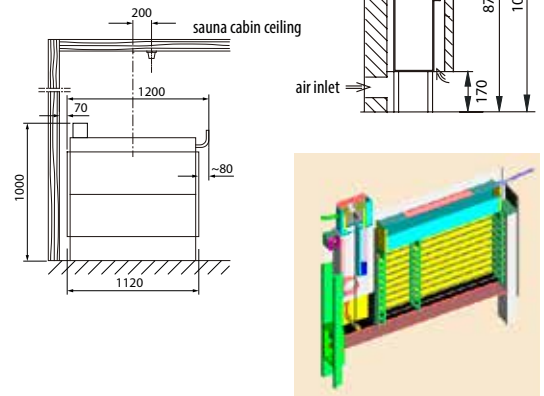
12,0 kW



Minimum clearances



Sensor installation



Technical specifications

Power output	Electrical connection	Connection mains - control unit	Connection control unit - heater	Connection mains - LSG	Connection LSG - heater	Connection control unit - LSG unit
6.0 kW	3N AC 50 Hz 400 V	5 x 2.5 mm ²	5 x 1.5 mm ²	--	--	--
7.5 kW			&	--	--	--
9.0 kW			4 x 1.5 mm ²	--	--	--
12.0 kW			2 x 5 x 1.5 mm ²	5 x 2.5 mm ²	5 x 1.5 mm ²	4 x 1.5 mm ²

All cross sections of a line are minimum diameters in mm² (copper wire).

Spare heating elements and parts

Description	Item no.
For 6.0 kW (4 x 1500W 230V)	2001.0894
For 7.5 kW (5 x 1500 W 230V)	2001.0894
For 9.0 kW (6 x 1500 W 230V)	2001.0894
For 12.0 kW (8 x 1500 W 230V)	2001.0894
Wooden funnel	2000.8118

Item no.	Vaporizer	Power output	Electrical connection	Fuse protection control unit	Fuse protection LSG unit	Dimensions H/W/D, in cm	For sauna cabin size	Min. size of air inlet and outlet	Weight without rocks	Power extension required
94.4890	left	6.0 kW	3N AC 50 Hz 400 V	3 x 16 A	--	100 / 112 / 20	6 - 8 m ³	35 x 3 cm	23.5 kg	no
94.4893	right									
94.4891	left	7.5 kW								
94.4894	right									
94.4892	left	9.0 kW								
94.4895	right									
94.1127	left	12.0 kW					3 x 16 A			
94.2817	right							14 - 18 m ³	35 x 6 cm	