



Technical data sheet

EOS Invisio XL

Sauna heater for concealed installation under the sauna benches.

Sauna heater for dry Finnish sauna. Special construction for concealed installation under the sauna benches. Includes safety grill and water infusion set. Suitable for intensive commercial use.

Your advantages:

- Space-saving design - only 10 cm required for the screen wall
- Extra large rock store with up to 75 kg capacity
- High user safety thanks to the concealed installation
- Classic water splashes on the rocks possible - water infusion set with stainless steel funnel is included
- Includes safety grill - reliable protection against objects falling down on the heater
- Optimized heating performance thanks to the special position of heating elements - for faster heat-up times
- Robust construction. Adjustable height (+/- 15 cm)
- Service-friendly construction
- Made in Germany quality from EOS

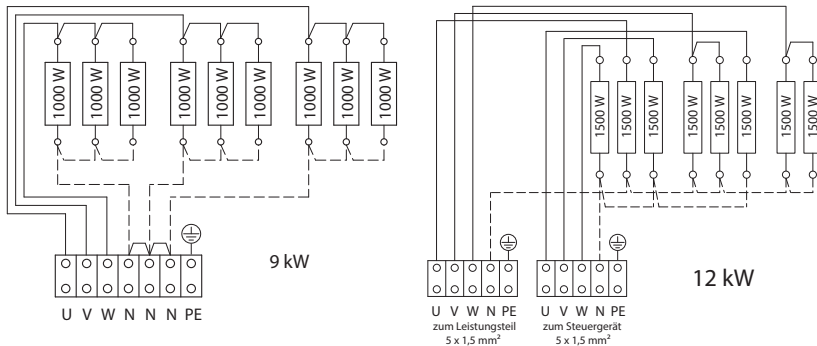
Specifications:

Outer shell:	Aluminium-plated steel, stainless steel top cover and feet
Inner shell:	Aluminium-plated steel
Water splash gutter:	Stainless steel
Terminal box:	Integrated in the side panel
Power range:	9,0 and 12,0 kW
Electrical connection:	400 V 3N ~ 50 Hz
Rock store volume:	approx. 75 kg (Sauna stones optionally available)
Dimensions (HxWxD):	790 (640) x 1160 x 580 mm (adjustable height)
Installation:	Under the benches



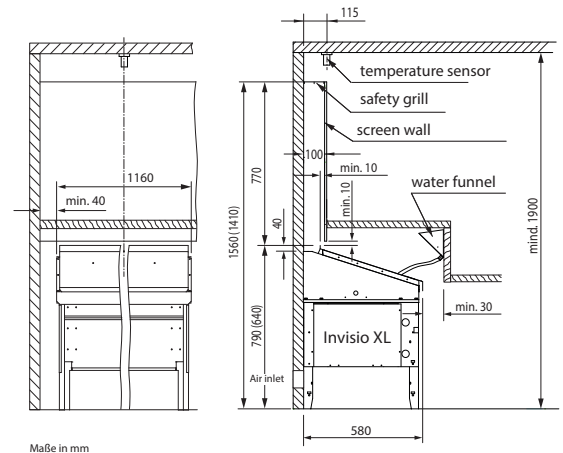
UK EAC CE IPx4 MADE IN GERMANY

Wiring scheme



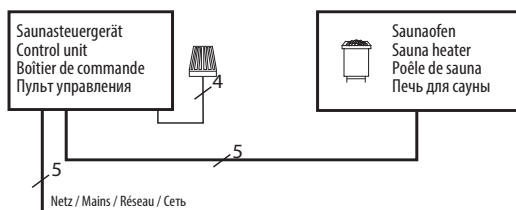
⚠ Attention! Make sure to always connect the N wire.

Safety gaps

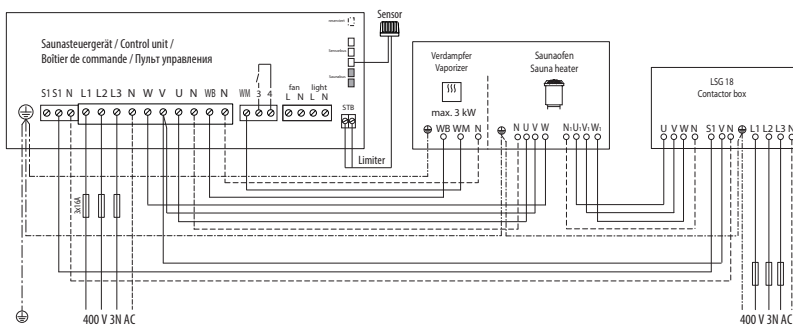


Connection diagram

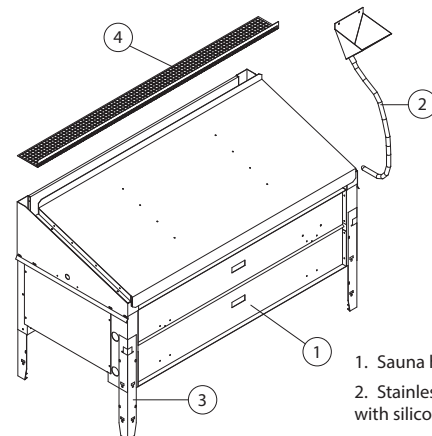
9 kW



12 kW



Delivery scope



1. Sauna heater
2. Stainless steel funnel with silicone hose
3. Feet, adjustable
4. Safety grill

Spare heating elements and parts

Description	Item no.
9,0 kW (9x 1000 W 230 V)	2000.8096
12,0 kW (8x 1500 W 230 V)	2000.8533
Stainless steel funnel	70011

Power	Electrical connection	Connection mains - control unit	Connection control unit - heater	Fuse protection control unit
9,0 kW	400 V 3N ~ 50 /60 Hz	5 x 2,5 mm ²	5 x 1,5 mm ²	3 x 16 A
12,0 kW				

All cross sections of connection cables are min. diameters in mm² (copper wire)

Item no.	Power	Electrical connection	Power extension needed	Dimensions, HxWxD in cm	For sauna cabin size	Min. size of air intake and outlet	Weight without stones and packing	Stone filling	Suitable sauna control units
94.5522 / 5816*	9,0 kW	400 V 3N ~ 50/60 Hz	no	79(64) x 116 x 58 cm	9 - 14 m ³	35 x 6 cm	25,5 kg	approx. 75 kg	EOS Econ-, Compact-, EmoTec-, EmoStyle- und EmoTouch-series
94.6390 / 6391*	12,0 kW		EmoTec LSG 09R		14 - 18 m ³	35 x 7 cm	27,5 kg		

* anthracite