



Technical data sheet

# EOS Goliath / Goliath HD

## Sauna heater for commercial saunas. Floor-standing model.

Premium class sauna heater for the Finnisch (dry) sauna. Optimized construction with extra-large rock store for 75 kg rocks and strong air convection. Heating elements have no contact to sauna stones to facilitate servicing and extend lifetime of heating elements.

Copper rails as standard inner wiring (for models with 24 kW or more power) make the Goliath HD perfectly suitable for saunas with particularly intensive use.

### Your advantages:

- High performance heater for heavy-duty commercial use.
- For design oriented, demanding facilities.
- Reinforced construction, all made of stainless steel.
- Extra-large rock store for approx. 75 kg volume.
- Friendly for servicing and maintenance, heating elements can be replaced without removing the rocks.
- Made in Germany quality from EOS.

### Specifications:

Outer shell:	Stainless steel, scratch-resistand anthracite pearl effect powder coating.
Top:	Brushed stainless steel
Rear wall:	Stainless steel, blank polished
Rock store:	Stainless steel, above heating elements
Terminal box:	Stainless steel, at the rear side, with ceramic terminals
Power range:	18.0 kW (Goliath) 24.0 / 30.0 / 36.0 kW (Goliath HD)
Power supply:	400 V 3N ~ 50 Hz
Rock store volume:	approx. 75 kg (Sauna stones optionally available)
Dimensions (HxWxD):	83 x 96 x 47 cm
Installation:	Floor-standing model



Optional brackets allow to mount a custom-made heater guard rail directly to the heater. This provides a reasonable protection against accidental touching the heater and at the same time keeps it fully visible and aesthetically looking.

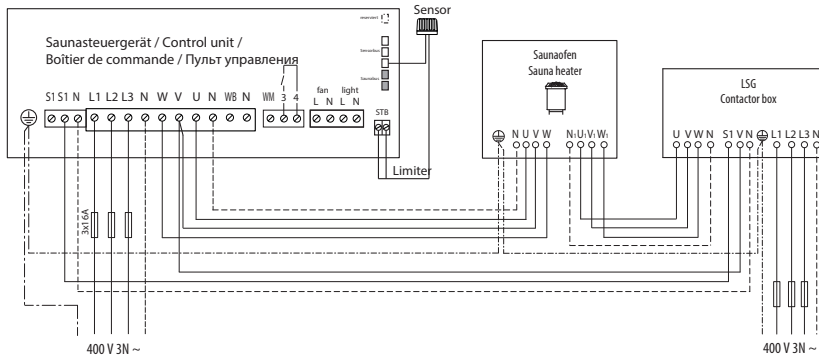
Notice: wooden parts are not included.

Item no. 94 7126, for 3-sided guard rail, anthracite finish.

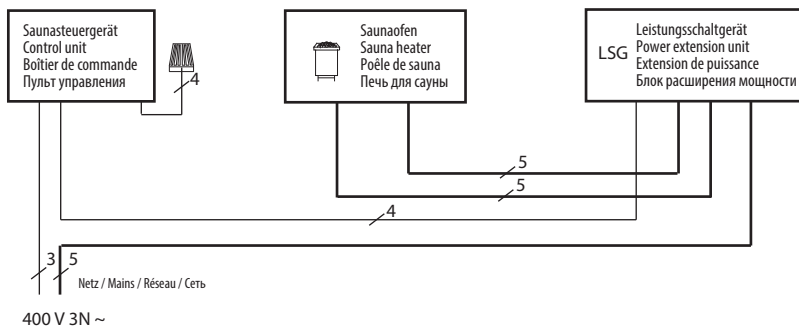
UK EAC CE IPx4 MADE IN GERMANY 

### Connection diagram

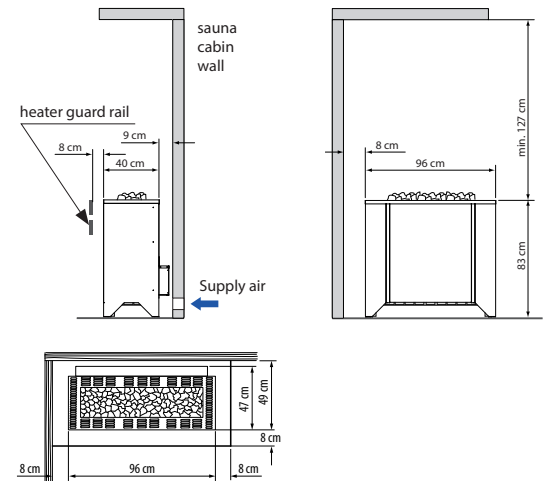
18 - 24 kW



30 - 36 kW



### Minimum clearances



### Suitable control units

Model	Item no.
EOS Econ D2	94 6138
EOS Econ D3	94 6140
EOS Econ D4	94 5842
EOS EmoTec D series	
EOS Compact D series	
EOS EmoStyle D / Hi series	
EOS EmoTouch 3 series	

Power extension unit (e.g. LSG10, LSG18, LSG36) is required.

### Spare heating elements

Description	Item no.
18 kW - 18 x 1000 W	2001 1599
24 kW - 18 x 1333 W	2001 6996
30 kW - 18 x 1666 W	2001 6997
36 kW - 18 x 2000 W	2001 6998
Mounting brackets for guard rail	94 7125

### Technical specifications

Power output	Electrical connection	Connection mains - control unit	Connection control unit - heater	Connection mains - LSG	Connection LSG - heater	Connection control unit - LSG unit
18 kW	400 V 3N ~ 50 Hz	5 x 2,5 mm <sup>2</sup>	5 x 1,5 mm <sup>2</sup>	5 x 2,5 mm <sup>2</sup>	5 x 1,5 mm <sup>2</sup>	4 x 1,5 mm <sup>2</sup>
24 kW				5 x 6 mm <sup>2</sup>	5 x 4 mm <sup>2</sup>	
30 kW			5 x 10 mm <sup>2</sup>	2 St. 5 x 4 mm <sup>2</sup>		
36 kW			3 x 1,5 mm <sup>2</sup>	5 x 16 mm <sup>2</sup>	2 St. 5 x 6 mm <sup>2</sup>	

All cross sections of connection cables are minimum diameters in mm<sup>2</sup> (copper wire).

Item no.	Power output	Electrical connection	Fuse protection control unit	Fuse protection LSG unit	Dimensions H/W/D, in cm	For sauna cabin size	Min. size of air inlet and outlet	Weight without rocks	Stone filling	Power extension required
94 4805	18 kW <sup>a</sup>	400 V 3N ~ 50 Hz	3 x 16 A	3 x 16 A	83 x 96 x 47	24 - 35 m <sup>3</sup>	50 x 6 cm	~85 kg	~75 kg	LSG 10
94 7827	24 kW <sup>b</sup>			3 x 35 A		35 - 45 m <sup>3</sup>	50 x 8 cm			LSG 18
94 7828	30 kW <sup>b</sup>			3 x 50 A		45 - 65 m <sup>3</sup>	50 x 10 cm			LSG 36
94 7829	36 kW <sup>b</sup>			3 x 63 A		65 - 75 m <sup>3</sup>	50 x 10 cm			

<sup>a</sup> Goliath <sup>b</sup> Goliath HD

Druck-Nr.: 29344085 20.22

Technical changes reserved