



Technical data sheet

EOS FinnRock

Sauna heater for private and commercial saunas. Floor-standing model.

Exclusive premium class sauna heater with the unique open rock store on the front side. Special construction of the front grill prevents the stones from falling out. Thanks to the flat rear wall with recessed terminal box, FinnRock is a great choice for installations in front of glass panels and in the centre of the sauna.

Your advantages:

- More surface for intensive, powerful water splashes.
- 40 kg rock store volume ensures high temperature stability and high water evaporation capacity for rich, mellow steam.
- Robust, durable construction - all made of stainless steel.
- Elegant design with scratch-resistant powder coating in anthracite pearl effect.
- Service-friendly construction, replacement of elements without unloading the rocks.
- Made in Germany quality from EOS.

Specifications:

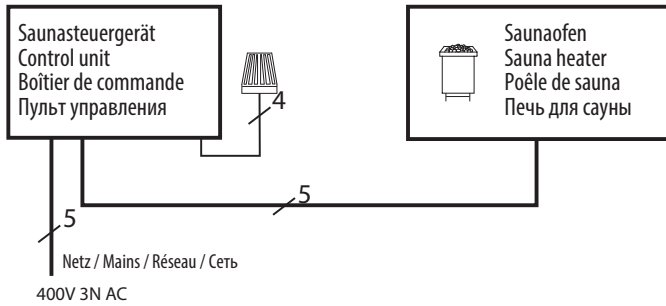
Outer shell:	Stainless steel, with scratch-resistant powder coating in anthracite pearl effect
Inner shell:	Stainless steel
Front:	Special angled frame, stainless steel
Top:	Brushed stainless steel
Rear wall:	Stainless steel, flat design
Rock store:	visible front, above heating elements
Terminal box:	Stainless steel, recessed design
Power output:	7.5, 9.0 and 12.0 kW
Power supply:	400 V 3N AC 50 Hz
Rock store volume:	approx. 40 kg (Stones optionally available)
Installation:	Floor-standing model



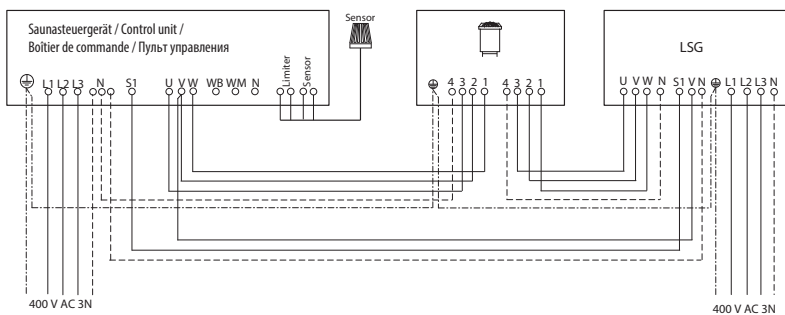
CE EAC IPx4 MADE IN GERMANY 

Connection diagram

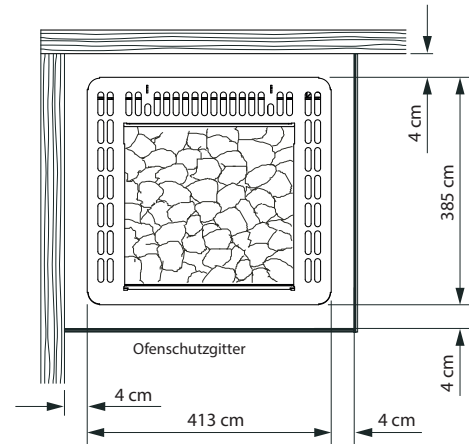
7,5 - 9,0 kW



12,0 kW



Minimum clearances



Suitable control units

Model	Item no.
EOS Econ D1	94.6136
EOS Econ D2	94.6138
EOS Econ D3	94.6140
EOS Econ D4	94.5842
EOS EmoTec D series	
EOS EmoStyle D / Hi series	
EOS EmoTouch 3 series	

Above 9 kW a power extension unit is required.

Technical specifications

Power output	Electrical connection	Connection mains - control unit	Connection control unit - heater	Connection mains - LSG	Connection LSG - heater	Connection control unit - LSG unit
7,5 kW	400 V 3N AC 50 Hz	5 x 2,5 mm ²	5 x 1,5 mm ²	--	--	--
9,0 kW				--	--	--
12,0 kW				5 x 2,5 mm ²	5 x 1,5 mm ²	4 x 1,5 mm ²

All cross sections of a line are minimum diameters in mm² (copper wire).

Spare heating elements

Description	Item no.
7,5 kW (5 x 1500 W 230 V)	2000.8085
9,0 kW (6 x 1500 W 230 V)	2000.8085
12,0 kW (6 x 2000 W 230 V)	2000.8086

Item no.	Power output	Electrical connection	Fuse protection control unit	Fuse protection LSG unit	Dimensions H / W / D, cm	For sauna cabin size	Min. size of air inlet and outlet	Weight without rocks	Stone filling	Power extension necessary
94.5663	7,5 kW	400 V 3N AC 50 Hz	3 x 16 A	--	76 / 41,3 / 38,5	8 - 12 m ³	35 x 5 cm	27 kg	approx. 40 kg	no
94.5664	9,0 kW			--		10 - 14 m ³	35 x 6 cm	no		
94.5719	12 kW			3 x 16 A		14 - 18 m ³	35 x 7 cm	EmoTec LSG 09R		