



EOS Cubo+

Sauna heater for domestic and commercial saunas. Floor-standing model.

Floor-standing sauna heater for Finnisch (dry) sauna in straightlined, cubistic design. Thanks to the flat rear wall, Cubo+ is ideal for installation in front of glass panels. Extra large rock store is placed above the heating elements for easy servicing and improved air convection.

Your advantages:

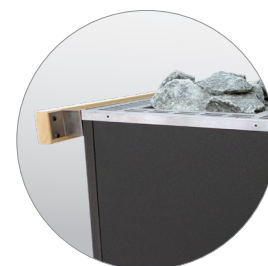
- Durable, long-lasting construction
- Extra large 45 kg rock store volume
- Optimal relation between stone volume and air convection system for fast heat-up times and powerful water infusions
- Scratch resistant anthracite pearl effect powder coating
- Compact size - only 38,5 cm depth.
- Optional rear wall cover panel in anthracite pearl effect finish
- Optional mounting brackets for safety guard rail mounting directly to the heater
- Made in Germany quality from EOS

Specifications:

Outer shell:	Anthracite pearl effect powder coated steel, scratch resistant
Top:	Brushed stainless steel
Rear wall:	Stainless steel (polished)
Rock store:	Stainless steel, above heating elements
Terminal box:	Stainless steel, recessed in rear wall
Power range:	7.5, 9.0, 10.5 and 12 kW
Power supply:	400 V 3N AC 50 Hz
Dimensions (HxWxD):	95 x 40 x 38,5 cm
Rock store volume:	approx. 45 kg (Sauna stones optionally available)
Installation:	Floor-standing



Stack frame for extra 15 kg stones and safety guard rail optionally available

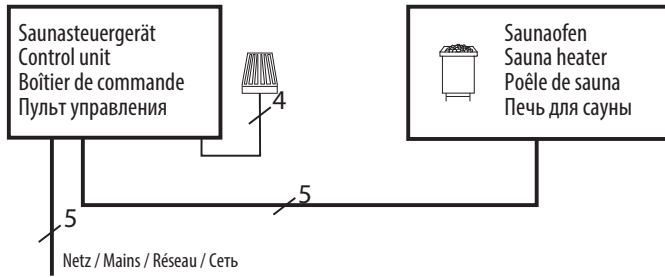


Rear side cover panel optionally available

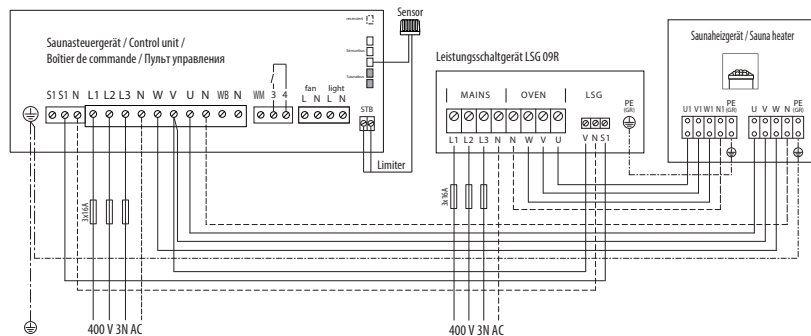
CE EAC IPx4 MADE IN GERMANY 

Connection diagram

7,5 - 9 kW

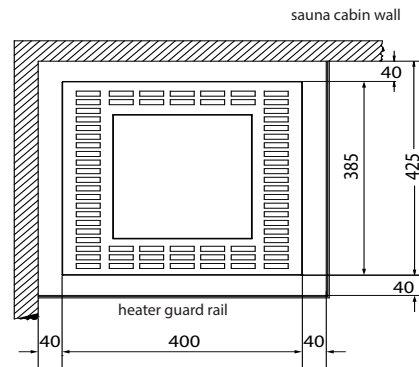


10,5* - 12,0 kW



*Modification of the wiring to the single-circuit connection possible, if a control unit with switching capacity 10,5 kW by max phase load 16A is used.

Minimum clearances



Suitable control units

Model	Item no.
EOS Econ D1	94.5202
EOS Econ D2	94.5204
EOS Econ D3	94.5549
EOS Econ D4	94.5842
EOS EmoTec D series	
EOS EmoStyle D / Hi series	
EOS EmoTouch 3 series	

Power extension unit (e.g. EmoTec L09R) is required for 10,5 and 12 kW heaters.

Technical specifications

Power output	Electrical connection	Connection mains - control unit	Connection control unit - heater	Connection mains - LSG	Connection LSG - heater	Connection control unit - LSG unit
7,5 kW	400 V 3N AC 50 Hz	5 x 2,5 mm ²	5 x 1,5 mm ²	---	---	---
9,0 kW						
10,5 kW				5 x 2,5 mm ²	5 x 1,5 mm ²	4 x 1,5 mm ²
12,0 kW						

All cross sections of a line are minimum diameters in mm² (copper wire).

Spare heating elements

Description	Item no.
For 7,5 kW (5 x 1500W)	2000.8085
For 9,0 kW (6 x 1500 W)	2000.8085
For 10,5 kW (3x1500W, 3x2000W)	2000.8085/8086
For 12 kW (6 x 2000 W)	2000.8086

Item no.	Power output	Electrical connection	Fuse protection control unit	Fuse protection LSG unit	Dimensions H/W/D, in cm	For sauna cabin size	Min. size air inlet and outlet	Weight without rocks	Stone filling	Power extension required
94.5974	7,5 kW	400 V 3N AC 50 Hz	3 x 16 A	3 x 16 A	95 / 40 / 38,5	7 - 10 m ³	35 x 5 cm	32 kg	approx. 45 kg	no
94.5975	9,0 kW					9 - 14 m ³	35 x 6 cm			
94.5976	10,5 kW					11 - 15 m ³	35 x 6 cm			
94.5977	12,0 kW					14 - 18 m ³	35 x 7 cm			