



Technical data sheet

# EOS Thermat W

**Sauna heater for domestic sauna cabins.  
Wall-mounting model.**

Universal sauna heater for the Finnisch (dry) sauna. Thanks to the new top made of die-cast aluminium with anthracite pearleffect coating Thermat heaters offer a timeless, elegant design.

## Your advantages:

- Universal sauna heater for dry Finnish sauna.
- Optimal relation between stone volume and air convection system for fast heat-up times and powerful water infusions.
- Contemporary, elegant die-cast aluminium top.
- Scratch resistant anthracite pearl effect powder-coating.
- Made in Germany quality from EOS.

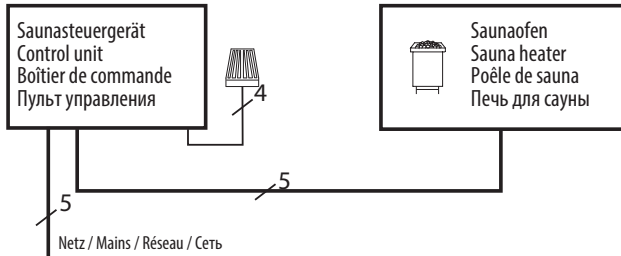
## Specifications:

Outer shell:	Steel with anthracite pearl effect powder-coating (scratch-resistant)
Inner shell:	Corrosion-resistant aluminium-coated steel
Top:	Aluminum die-cast top, anthracite pearl effect coated
Rear wall:	Zinc-plated steel
Stone support grill:	Stainless steel
Terminal box:	Zinc-plated steel, corrosion-resistant
Power range:	4.5, 6.0, 7.5 and 9.0 kW
Power supply:	400 V 3N AC 50 Hz
Size (HxWxD):	580 x 375 x 380 mm
Rock store volume:	approx. 15 kg (Sauna stones optionally available)
Installation:	Wall-mounted heater

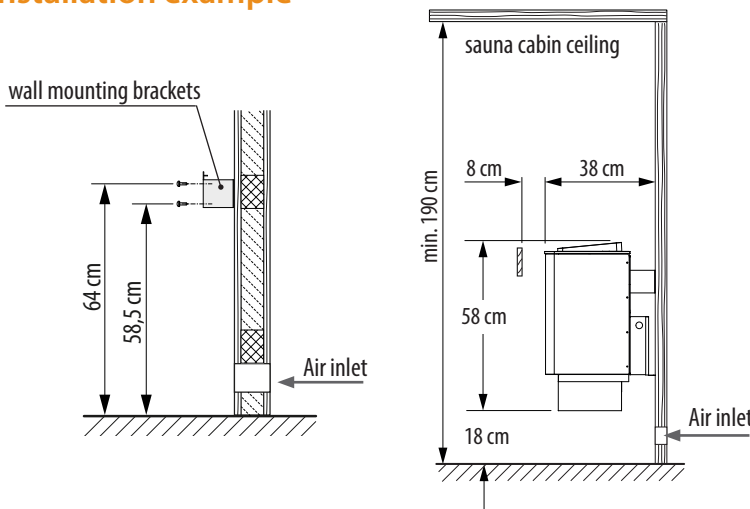


CE EAC IPx4 MADE IN GERMANY 

### Connection diagram



### Installation example



### Spare parts

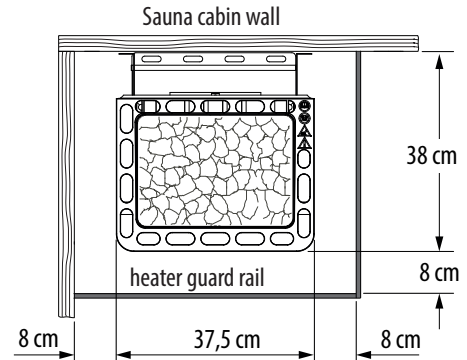
Description	Item no.
Heating element for 4,5 kW (1500W)	2000.8085
Heating element for 6,0 kW (2000 W)	2000.8086
Heating element for 7,5 kW (2500 W)	2000.8084
Heating element for 9,0 kW (1500 W)	2000.8085

### Technical specifications

Item no.	Colour	Power output	Electrical connection	Fuse protection (control unit)	Dimensions H/W/D, in cm	For sauna cabin size	Min. size air inlet and outlet	Weight without rocks	Connection mains - control unit	Connection control unit - heater	Power extension required
94.5479	Anthracite pearl effect	4,5 kW	400 V 3N AC 50 Hz	3 x 16 A	58 / 37,5 / 38	4 - 6 m <sup>3</sup>	35 x 3 cm	11,0 kg	5 x 2,5 mm <sup>2</sup>	5 x 1,5 mm <sup>2</sup>	no
94.5480		6,0 kW				6 - 8 m <sup>3</sup>	35 x 4 cm	11,5 kg			
94.5481		7,5 kW				7 - 10 m <sup>3</sup>	35 x 5 cm	12,0 kg			
94.5482		9,0 kW				9 - 14 m <sup>3</sup>	35 x 6 cm	12,5 kg			

All cross sections of a line are minimum diameters in mm<sup>2</sup> (copper wire), make sure to observe 18 cm ground clearance.

### Minimum clearances



### Suitable sauna control units

Model	Item no.
EOS Econ D1	94.6136
EOS Econ D2	94.6138
EOS Econ D3	94.6140
EOS Econ D4	94.5842
EOS Compact series	
EOS EmoTec D series	
EOS EmoStyle D / Hi series	
EOS EmoTouch 3 series	