



Technical data sheet

EOS ThermoTec W

**Sauna heater for domestic sauna cabins.
Wall-mounting model.**

Universal sauna heater for the Finnisch (dry) sauna. Thanks to the elegant curved top made of die-cast aluminium with anthracite pearl effect coating ThermoTec heaters offer a contemporary stylish design for modern sauna cabins.

Your advantages:

- Durable sauna heater for dry Finnish sauna.
- Optimal relation between stone volume and air convection system for fast heat-up times and powerful water infusions.
- Contemporary, elegant die-cast aluminium top.
- Scratch resistant anthracite pearl effect powder-coating.
- Made in Germany quality from EOS.

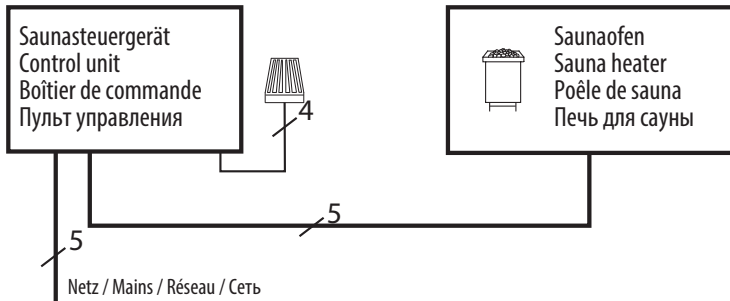
Specifications:

Outer shell:	Steel with anthracite pearl effect powder-coating (scratch-resistant)
Inner shell:	Stainless steel
Top:	Die-cast aluminium top, anthracite pearl effect coated
Rear wall:	Zinc-plated steel
Stone support grill:	Stainless steel
Terminal box:	Zinc-plated steel, corrosion-resistant
Power range:	6,0, 7,5 and 9,0 kW
Power supply:	400 V 3N AC 50 Hz
Dimensions (H x W x D):	600 x 375 x 380 mm
Rock store volume:	approx. 18 kg (Sauna stones optionally available)
Installation:	Wall-mounted heater

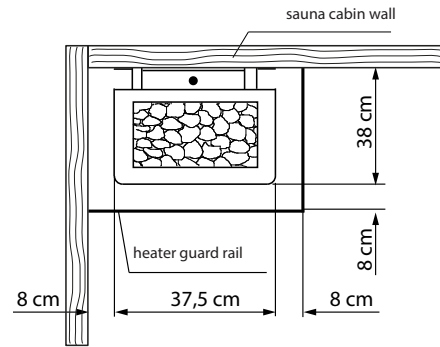


ERL CE IPx4 MADE IN GERMANY

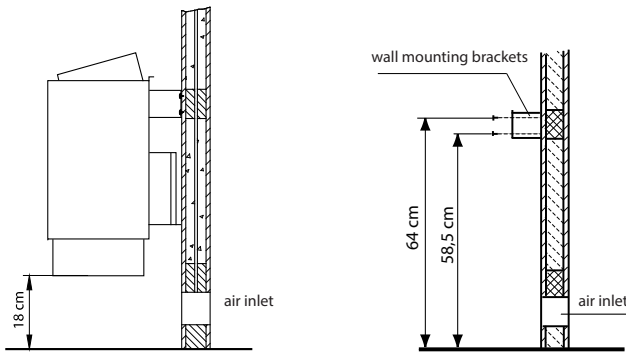
Connection diagram



Minimum clearances



Installation example



Suitable sauna control units

Model	Item no.
EOS Econ D1	94.6136
EOS Econ D2	94.6138
EOS Econ D3	94.6140
EOS Econ D4	94.5842
EOS EmoTec D series	
EOS EmoStyle D / Hi series	
EOS EmoTouch 3 series	

Spare parts

Description	Item no.
Heating element for 6,0 kW (1500 W)	2000.8085
Heating element for 7,5 kW (1500 W)	2000.8085
Heating element for 9,0 kW (1500 W)	2000.8085

Technical specifications

Item no.	Colour	Power output	Electrical connection	Fuse protection (control unit)	Dimensions H/W/D, in cm	For sauna cabin size	Min. size air inlet and outlet	Weight without rocks	Connection mains - control unit	Connection control unit - heater	Power extension required
94.5688	Anthracite pearl effect	6,0 kW	400 V 3N AC 50 Hz	3 x 16 A	60 / 37,5 / 38	6 - 8 m ³	35 x 4 cm	11,0 kg	5 x 2,5 mm ²	5 x 1,5 mm ²	no
94.5689		7,5 kW				7 - 10 m ³	35 x 5 cm				
94.5690		9,0 kW				9 - 14 m ³	35 x 6 cm	12,5 kg			

All cross sections of a line are minimum diameters in mm² (copper wire), make sure to observe 18 cm ground clearance.