



# EOS Gracil

**Sauna heater for private sauna cabins.  
Floor-standing model.**

Floor-standing sauna heater for Finnish sauna. Very space-saving construction with only 25 cm depth. Gracil stands out through its sleek, straight-lined design and is a great match for modern upper-class saunas. For residential use.

## Your advantages:

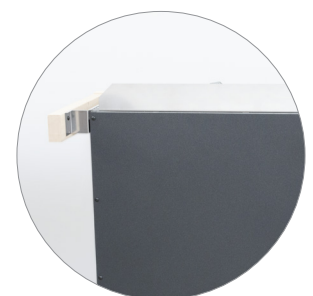
- Very space-saving – only 25 cm depth
- Flat rear side with recessed terminal box.
- Optional rear side cover panel in anthracite finish - great for installation in front of glass walls.
- Optional wooden guard rail.
- Full size 20 kg rock store despite very shallow construction.
- Scratch resistant anthracite pearl effect powder coating.
- Also available as "Black Line Edition" with matt black finish.
- Made in Germany quality from EOS

## Specifications:

Outer shell:	zinc-plated steel, with anthracite finish or matt black finish
Inner shell:	hot dip aluminium plated steel
Cover:	brushed stainless steel
Rock store and feet:	stainless steel
Terminal box:	recessed inside main housing
Power output:	6,0 kW, 7,5 kW and 9,0 kW
Connection:	400 V 3N AC 50 Hz
Dimensions: (H x W x D) :	760 x 505 x 250 mm
Rock store volume:	approx. 20 kg (Sauna stones optionally available)
Installation:	floor-standing model



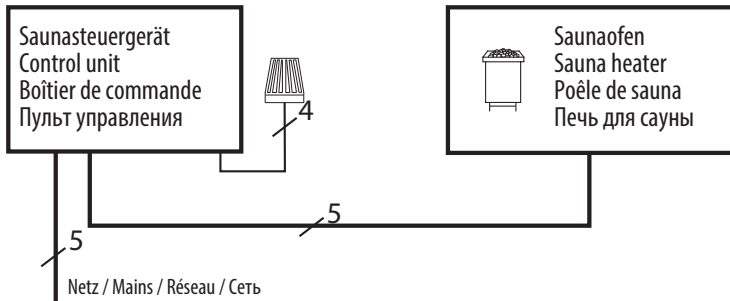
Heater guard rail optionally available.



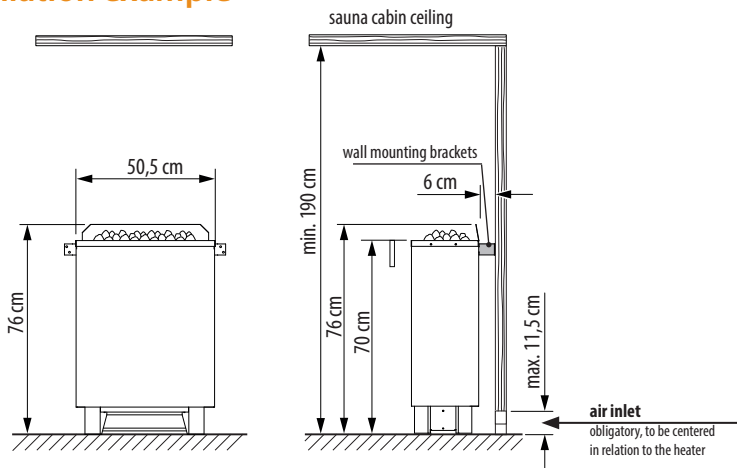
Rear side cover panel in anthracite finish optionally available

CE EAC IPx4 MADE IN GERMANY 

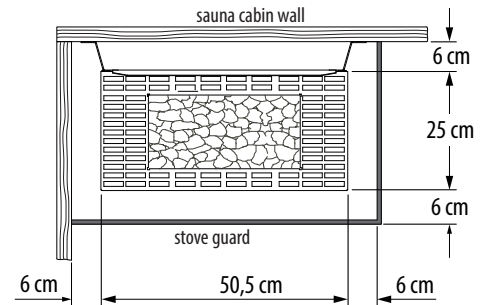
### Connection overview



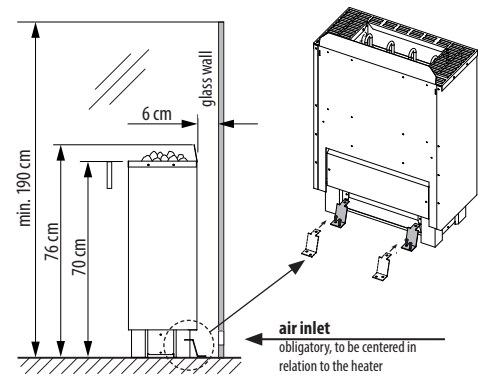
### Installation example



### Minimum clearances



Guard rail to be provided by the cabin manufacturer if not ordered with the heater. Heater should be secured to the wall.



By free-standing installation the heater must be secured to the floor.

### Suitable sauna control units

Model	Item no.
EOS Econ D1	94.6136
EOS Econ D2	94.6138
EOS Econ D3	94.6140
EOS Econ D4	94.5842
EOS EmoTec D series / EmoStyle D (Hi) series	
EOS EmoTouch 3 series	

### Spare parts

Description	Item no.
Heating element for 6,0 kW (1500 W)	20001852
Heating element for 7,5 kW (1500 W)	20001852
Heating element for 9 kW (1500 W)	20001852

Item no.	Power output	Electrical connection	Fuse protection (control unit)	Dimensions H/W/D, in cm	For sauna cabin size	Min. size air inlet and outlet	Weight without rocks	Connection mains - control unit	Connection control unit - heater	Power extension required
94.6755	6,0 kW	400 V 3N AC 50 Hz	3 x 16 A	76 / 50,5 / 25	6 - 8 m <sup>3</sup>	35 x 4 cm	20,5 kg	5 x 2,5 mm <sup>2</sup>	5 x 1,5 mm <sup>2</sup>	no
94.6756 / 94.7243*	7,5 kW				7 - 10 m <sup>3</sup>	35 x 5 cm	21,0 kg			
94.6757 / 94.7244*	9,0 kW				9 - 14 m <sup>3</sup>	35 x 6 cm	21,5 kg			

\*matt black finish

All cross sections of a line are minimum diameters in mm<sup>2</sup> (copper wire), make sure to observe 18 cm ground clearance.